

# TREK-306DH

Preliminary



## 10.4" In-Vehicle Smart Display

### Features

- Vehicle grade 10.4" (4:3) XGA TFT LCD with 5-wire Analog Resistive Touchscreen
- 5x User-programmable function keys
- 2x 2-Watt water-proof Speakers.
- Built-in light sensor for auto dimming application
- Easy installation, Pairing with TREK computing box (TREK-5xx/6xx) by one cable
- Extended I/O ports (USB 2.0 Type A x1, Power button x1, Reset button x1) for TREK computing box maintenance
- -30 to 70° C wide working temperature
- SAE-J1455 compliant



## Introduction

TREK-306DH is a stylish 10.4" In-Vehicle Smart Display which can be paired with all the TREK computing boxes (TREK-5xx/6xx) with only a single cable (easy for installation). Its excellent display performance; higher resolution XGA (1024 x 768), and higher brightness (400 cd/m<sup>2</sup>) with reliable 5-wire resistive touchscreen, make it ideal for fleet management as well as in-vehicle surveillance applications in trucks and buses. With rich, user-friendly I/O (user-programmable hot-keys, auto dimming, and data access/communication capability with TREK computing boxes), TREK-306DH performs as both a vehicle-grade display and a smart console system. TREK-306DH can help drivers improve safety and efficiency while enhancing the driving experience.

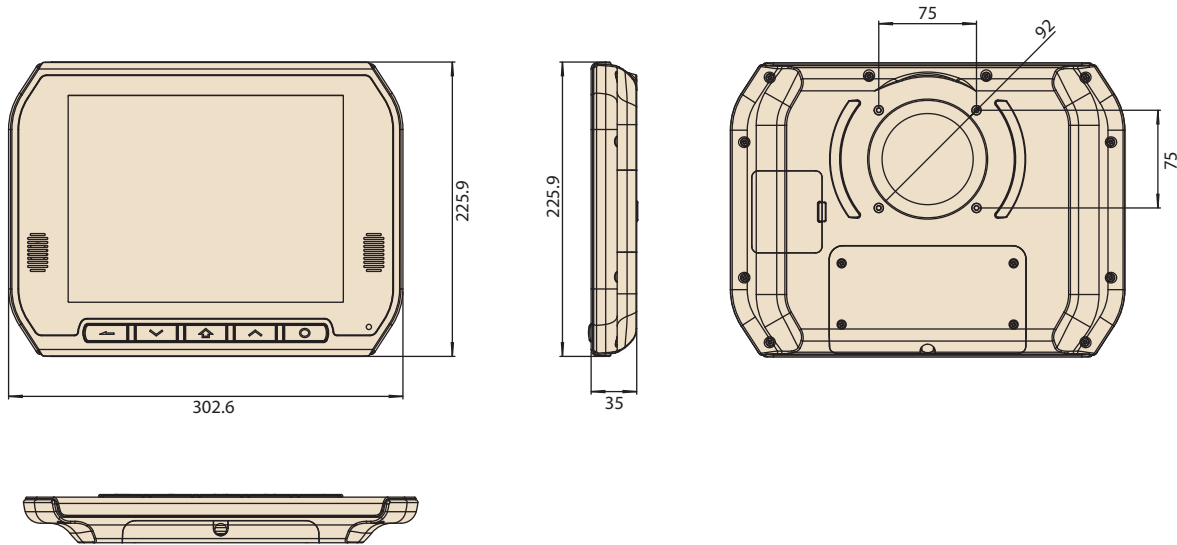
## Specifications

LCD	Active Area (LCD Size)	210.4 (H) x 157.8 (V) (10.4" diagonal)
	Resolution	XGA (1024 x 768)
	Video Input	Single channel, 18 bit LVDS
	Pixel /Pitch	0.2055 (H) x 0.2055 (V)
	Brightness (cd/m <sup>2</sup> )	400 cd/m <sup>2</sup>
	Viewing Angle (H/V)	178/178
	Contrast Ratio	1400:1
	Backlight Type	LED
Touchscreen	Life (hrs)	50K
	Size	10.4" (4:3) format
	Type	Five-wire analog resistive
	Transparency	80% ± 3%
	Hardness	≥ 3H
	Durability	Knock test> 35,000,000 times (Stylus= R0.8, <=50g)
Front Plane	IK Shock-Protection Rate	IK-06 (Resistance against impacts with an energy up to 1,00 J)
	Speaker	Built-in 2 x 2 W waterproof speaker
	Hot Keys	5x User-programmable Function keys with green LED
	Light Sensor	1 x Built-in light sensor for auto-dimming implementation
Rear I/O	Smart Display Port	A 36-pin locking type high density connector to be paired with TREK-5xx/6xx
Side I/O	USB Host	1 x USB 2.0 host (Data access from/to TREK computing box)
	Power button	1 x Power button (To power on/off TREK computing box)
	Reset butto	1 x Reset button (To Reset TREK computing box)
Power	DC input	12V+/- 5% (supplied by TREK computing box)
	Power consumption	8W (Nominal), 14W (Max.)
Mechanical	Mounting	VESA, RAM Mount (75 x 75 mm)
	Material	PC
	Weight	1.7Kg
	Dimensions (H x W x D)	226 x 303 x 35 mm
Environment	Operating Temp	-30 to 70° C
	Storage Temp	-40 to 80° C
	Vibration/Shock	MIL-STD-810G, EN60721-3(5M3), SAE-J1455
	Certifications	CE, FCC
	IP Rating	IP55 (with I/O Cover)

# TREK-306DH

## Dimensions

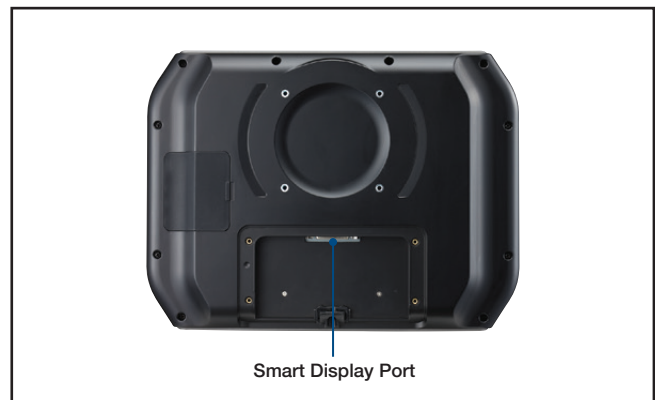
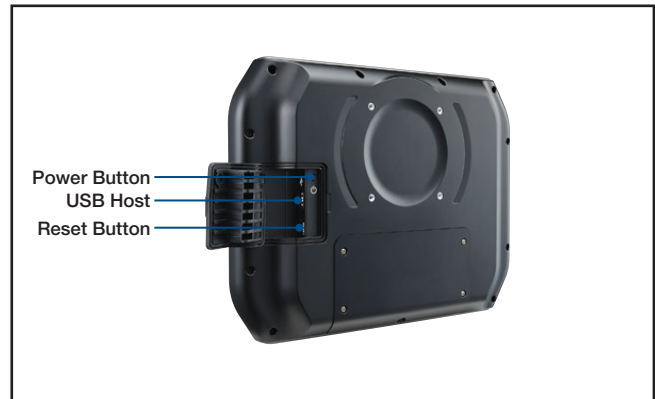
Unit: mm



## Fully Integrated I/O



- A. B. Spaecker
- C. User-defined hotkeys
- D. Light sensor
- E. Reset, power, USB host (side)



## Ordering Information

Part Number	Description
TREK-306D-HA0E	10.4" XVGA in-vehicle Smart Display, with 5-wire Resistive Touchscreen
RAM-MOUNT-06E	VESA RAM mount w/VESA base(3.625") & 5.625" double socket arm for 1.5" ball base
1700020007	2-meter smart display cable (Paired with TREK-5xx/6xx)
1700020008	5-meter smart display cable (Paired with TREK-5xx/6xx)
1700020329-01	8-meter smart display cable (Paired with TREK-5xx/6xx)